

Vivian® Pressure Balance Valve Trim With Lever Handle

FEATURES

- Lever handle
- Consistent trim appearance regardless of valve installation depth
- For use with the Pressure Balancing Valve (TSPTM)

COLORS/FINISHES

- #CP Polished Chrome
- #BN Brushed Nickel
- #PN Polished Nickel

CODES/STANDARDS

- Meets or exceeds ASME A112.18.1/CSA B125.1, ASSE 1016
- Certifications: IAPMO(cUPC), State of Massachusetts, City of Los Angeles, and others
- Code Compliance: UPC, IPC, NSPC, NPC Canada, and others
- ADA compliant



PRODUCT SPECIFICATION

Pressure balance valve trim shall have a lever handle. Product shall be TOTO Model TS220P1#____ and required valve shall be TSPTM sold separately.

TS220P1

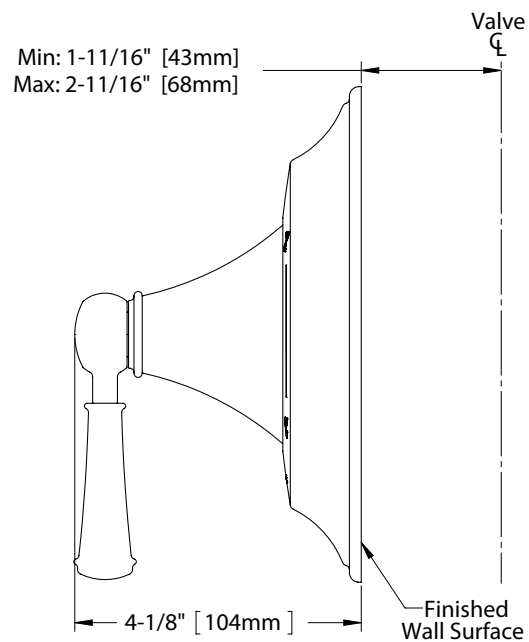
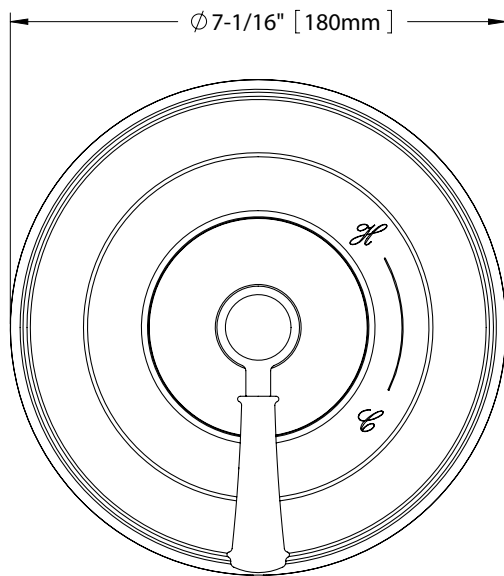
Vivian® Pressure Balance Valve Trim With Lever Handle

SPECIFICATIONS

- Warranty Lifetime Limited Warranty (Residential Use)
One Year (Commercial Use)
- Material Brass
- Shipping Weight 3.2 lbs.
- Shipping Dimensions 8-1/2" L x 7-1/2" W x 5-1/2" H

INSTALLATION NOTES

VALVE REQUIRED:
Pressure balancing valve model TSPTM sold separately.



TOTO®

These dimensions and specifications are subject to change without notice