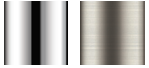


Neo™ Bar Faucet

FEATURES:

- 1.5 GPM (5.7 L/min) flow rate
- Brass construction
- Side lever handle
- 1/4 turn ceramic cartridge
- Stainless steel inlet supply lines included, with 3/8" compression fittings
- Corrosion resistant finishes

STOCK FINISHES:



PC BN

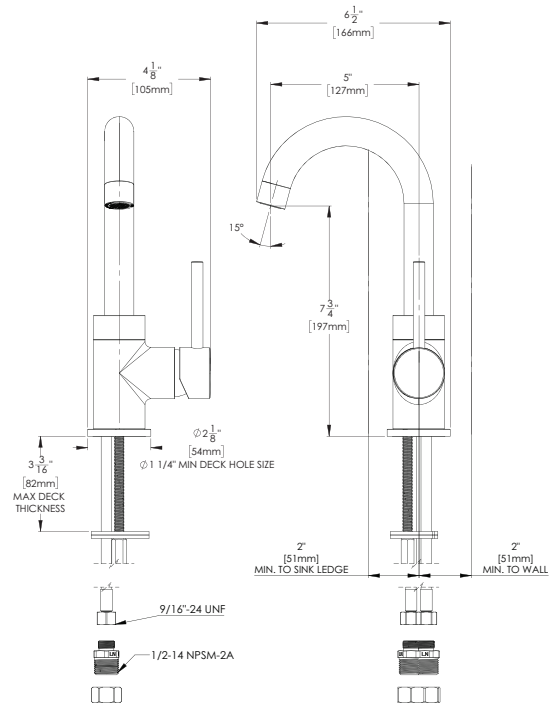
STANDARDS:

- ASME A112.18.1/CSA B125.1 certified
- NSF/ANSI 61 certified
- NSF 372 certified
- ADA compliant

WARRANTY:

Visit www.speakman.com for full product warranty information

- 5 Year Limited Warranty (commercial)
- Limited Lifetime Warranty (residential)



1. All dimensions are in inches (millimeters) unless otherwise specified and are subject to change without notice.

Architect/Engineer Approval Space:

P: 800-537-2107
 F: 800-977-2747
 W: WWW.SPEAKMAN.COM
 R: 03-NOVEMBER 2019