

SPEAKMAN® SE-950

Shower and Eyewash Test Kit

FEATURES:

- Test Bucket & Lid: 5 Gallon White Plastic (A).
- Funnel Sleeve: White Vinyl (B).
- Attachment Ring: Steel.
- Handle: PVC (C).
- Eyewash tester: Clear Plastic (D).

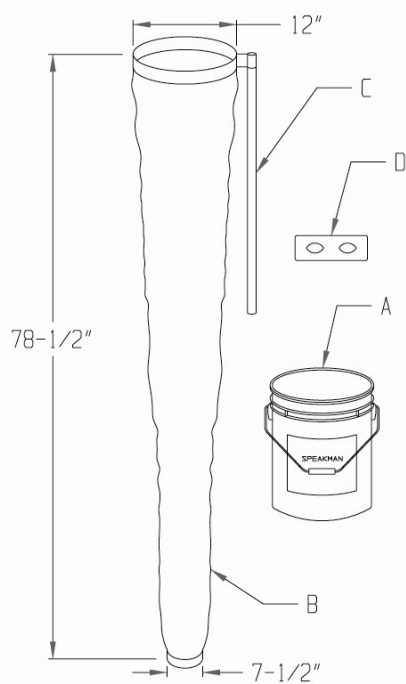
WARRANTY:

- 3 year limited



DIMENSIONS:

NOTE: 1. All dimensions are in inches (millimeters) unless otherwise specified and are subject to change without notice.



Architect/Engineer Approval Space:

SPEAKMAN
400 ANCHOR MILL ROAD
NEW CASTLE, DE 19720

P: 800-537-2107
F: 800-977-2747
W: WWW.SPEAKMAN.COM
R: NOVEMBER 2017