

Shower Rods Technical Specification

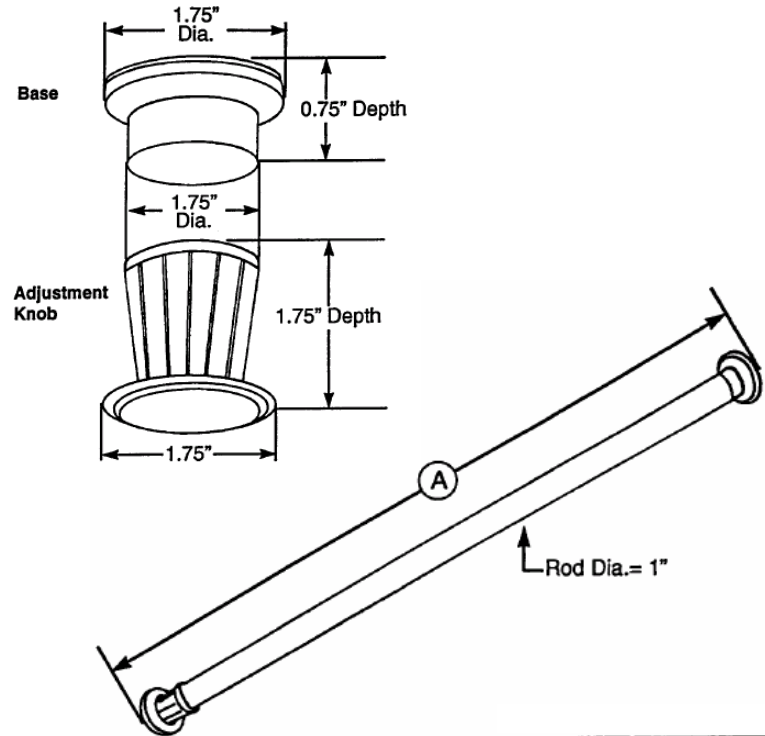
Shower Rod Sets – Adjustable

54

Stock Numbers:

- **54-5 – 5' Aluminum Shower Rod Set**
Polished Chrome Finish
1" Diameter Rod
Poly Adjustable Flanges (54-F)
- **54-6 – 6' Aluminum Shower Rod Set**
Polished Chrome Finish
1" Diameter Rod
Poly Adjustable Flanges (54-F)

Dimensions:



	54-5	54-6
A	62" to 62.5"	74" to 74.5"

(For flange dimensions, see 54-F Technical Specification)

Materials:

Shower Rods are 28-gauge aluminum with a triple plated polished chrome finish.

Installation Instructions:

1. Place flanges on both ends of shower rod.
2. Position rod assembly in desired location.
3. Tighten assembly against wall by twisting adjustment knob counter clockwise.

Stock Number: _____ **Shower Rod**
By Creative Specialties

25300 AL MOEN DRIVE • NORTH OLMSTED, OH 44070
CORPORATE HEADQUARTERS: (800) 321-8809 • FAX: (800) 848-6636
INTERNATIONAL: (440) 962-2000 • FAX: (440) 962-2726
CUSTOMER SERVICE (USA): 800-882-0116 • FAX: (888) 379-2720
WWW.MOEN.COM

©Copyright Creative SpecialtiesInternational

Literature #1392

