

**Logis**

**Single-Hole Faucet 190 with Pop-Up Drain, 1.2 GPM**

Finishes : **brushed nickel** Part no. : **71090821**



**Description**

**Features**

- Aerated spray
- Flow: 1.2 GPM (4.5 L/Min)
- Ceramic cartridge
- Includes pop-up drain

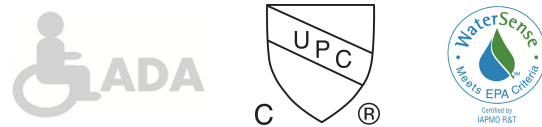
**Item details**

List Price \$ 306.00

**Technology**



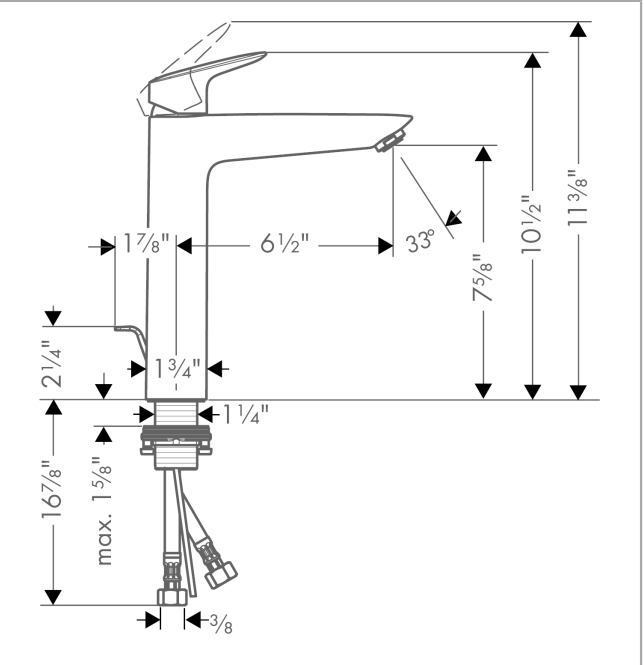
**Compliance**



**Product image**



**Scale drawing**

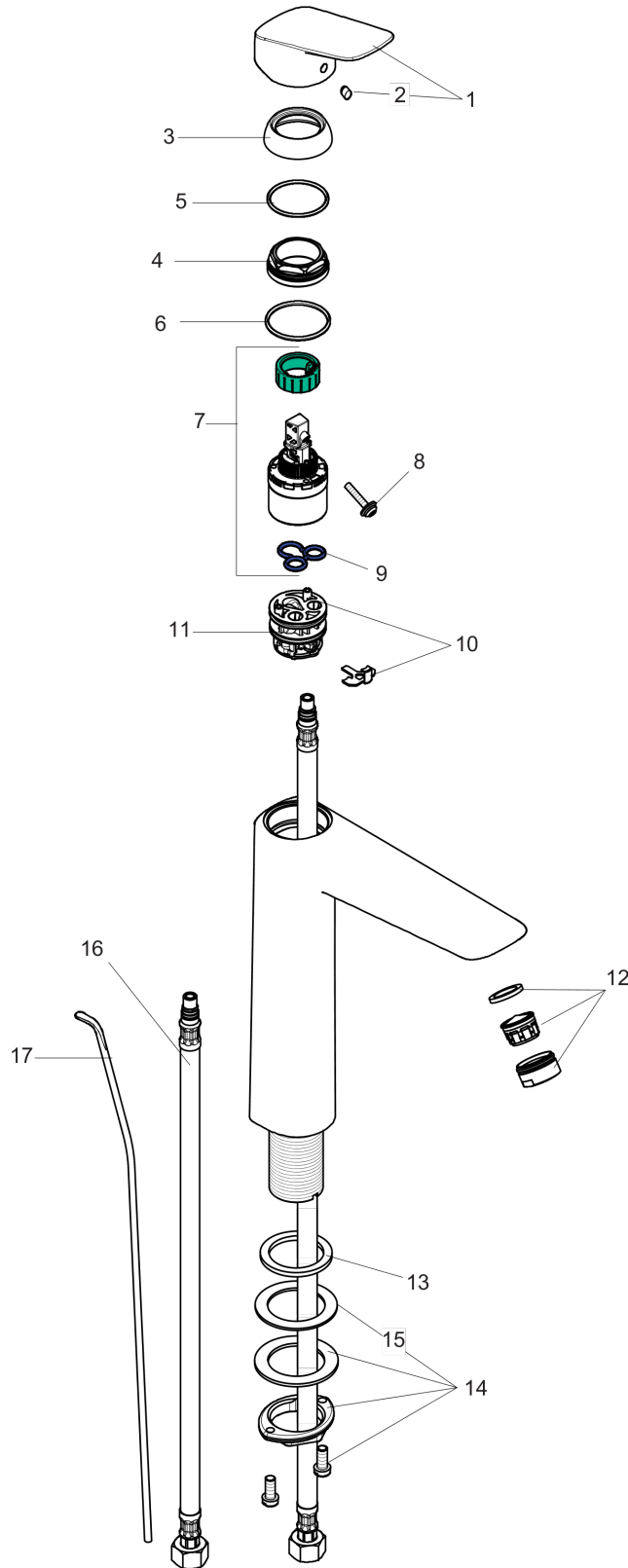


**Logis**  
**Single-Hole Faucet 190 with Pop-Up Drain, 1.2 GPM**  
 Finishes : **brushed nickel** Part no. : **71090821**



Exploded drawing

Year of production: >07/16



## Logis

### Single-Hole Faucet 190 with Pop-Up Drain, 1.2 GPM

Finishes : **brushed nickel** Part no. : **71090821**



## Spare parts list

Year of production: >07/16

Pos.	Description	Part no.	Price	PU
1	handle	92224820	-	1
2	screw cover	96338000	-	1
3	flange	97406820	-	1
4	nut	97209000	-	1
5	O-Ring 32x2	98193000	-	1
6	O-ring 35x2	92604000	-	1
7	cartridge, assy	92730000	-	1
8	locking screw for handle	95140000	-	1
9	seal	95008000	-	1
10	adapter for cartridge	98750000	-	1
11	O-Ring 30x2	98186000	-	1
12	aerator M24x1 (4,5 l/min)	92879820	-	1
13	flat seal	98749000	-	1
14	fixing set (Ø 32)	13961000	-	1
15	lever collar	97548000	-	1
16	connection hose 35½" M8x0,75 3/8"	96316001	-	1
17	pull rod	96657820	-	1
a	pop up waste	88509820	-	1
b	lever arm 340mm (ball-Ø12mm)	96324000	-	1