



AMERICAN STANDARD

TRADITIONAL COLD TAP



- Compatible with most filtration systems
- Single lever control
- ADA qualified
- Cold water only
- Lead Free - faucet contains $\leq 0.25\%$ total lead content by weighted volume
- Maximum Flow Rate: 1.5 GPM (5.7L/min)

CODES AND STANDARDS

Meets or Exceeds ASME A112.18.1/
CSA B125.1/NSF 61/Section 9

Certified Compliant with 0.25% Weighted
Average Lead Content Regulations

AVAILABLE FINISHES

Polished Chrome
Ultra Steel

FINISH CODE

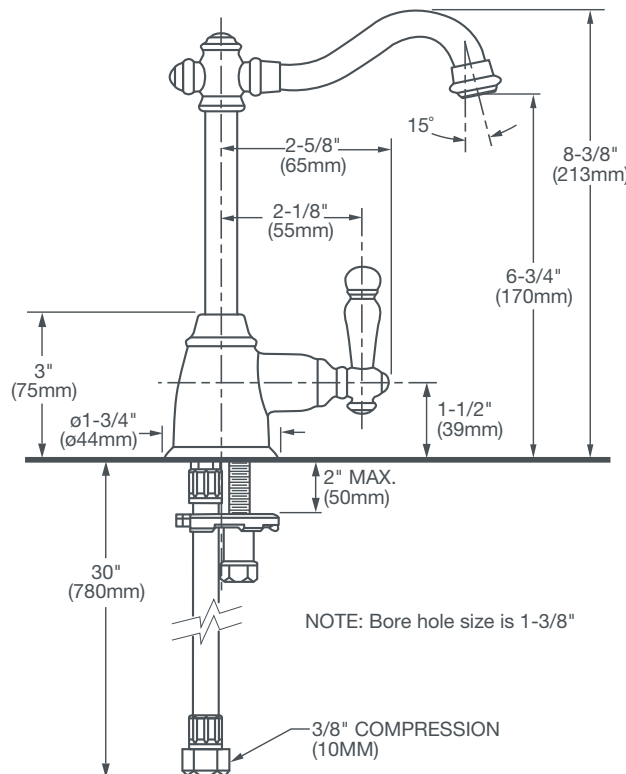
100
355

DESCRIPTION

Traditional Cold Tap

PRODUCT NUMBER

D35402700.XXX



IMPORTANT: These measurements are subject to change or cancellation.
No responsibility is assumed for use of superseded or voided pages.