



AMERICAN STANDARD

# RANDALL™

## 3/2 OR 4/3 DIVERTER VALVE TRIM



- Alternates water flow between 2 or 3 discrete shower outlets
- 4/3 Port diverter allows for 1 inlet and 3 outlets
- 3/2 Port diverter allows for 1 inlet and 2 outlets
- 1/2" NPT inlets and outlets
- Available with cross handle only

### CODES AND STANDARDS

Meets or Exceeds ASME A112.18.1/CSA B125.1

### AVAILABLE FINISHES

- Polished Chrome
- Brushed Nickel
- Platinum Nickel

### FINISH CODE

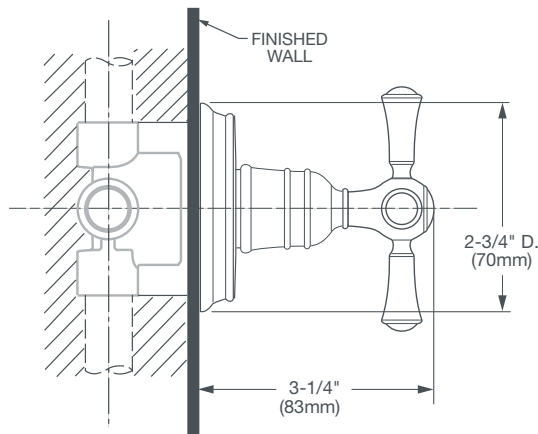
- 100
- 144
- 150

### DESCRIPTION

- Handle Trim Kit for 2-Way or 3-Way In-Wall Diverter
- 3/2 Port Diverter Rough Valve
- 4/3 Port Diverter Rough Valve

### PRODUCT NUMBER

- D35102430.XXX
- D35000420.191
- D35000430.191



**IMPORTANT:** These measurements are subject to change or cancellation. No responsibility is assumed for use of superseded or voided pages.



Meets the Americans with Disabilities Act Guidelines and ANSI A117.1 Requirements for the physically challenged.