

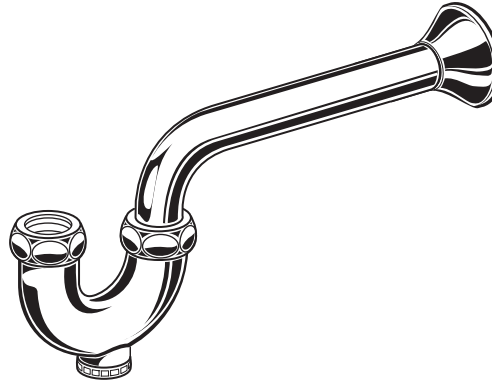
INSTALLATION INSTRUCTIONS



Decorative P-Trap

Model D35700020

Thank you for selecting DXV. To ensure that your installation proceeds smoothly, please read these instructions carefully before you begin.



RECOMMENDED TOOLS AND MATERIALS

Most of the procedures require the use of common tools and materials, which are available from hardware and plumbing supply stores. It is essential that the tools and materials be on hand before work is begun.



Channel Locks



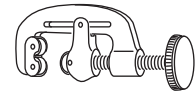
Adjustable Wrench



Teflon Tape



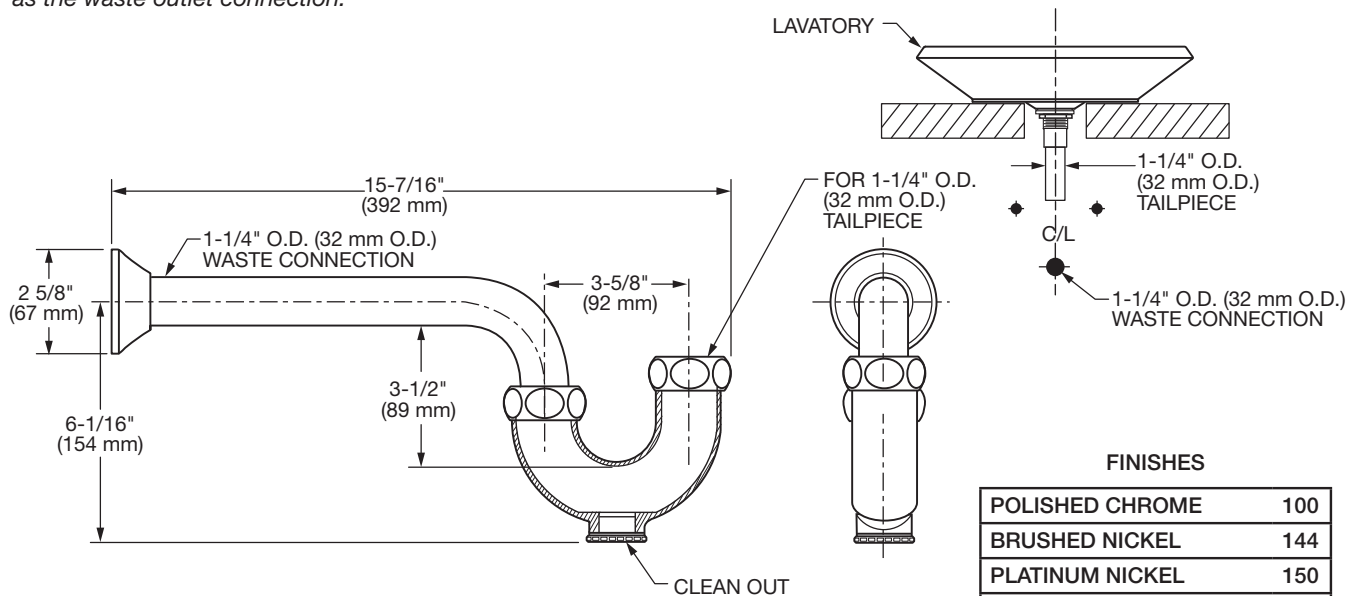
Plumbers' Grease



Tubing Cutter

ROUGHING-IN DIMENSIONS:

Important: Lavatory tailpiece must be on same center-line as the waste outlet connection.



FINISHES	
POLISHED CHROME	100
BRUSHED NICKEL	144
PLATINUM NICKEL	150
SATIN BRASS	427

In the United States:

DXV
One Centennial Avenue
Piscataway, New Jersey 08855
Attention: Director of Customer Care

For residents of the United States, warranty information may also be obtained by calling the following toll free number: (800) 227-2734
www.DXV.com

In Canada:

DXV
5900 Avebury Road
Mississauga, Ontario
L5R 3M3
Canada

Toll Free: 1-800-387-0369
Local: 905-306-1093
Fax: 1-800-395-1498
www.DXV.ca

In Mexico:

DXV
Via Morelos 330
Col. Santa Clara Coatitla
Ecatepec, Estado de México 55540

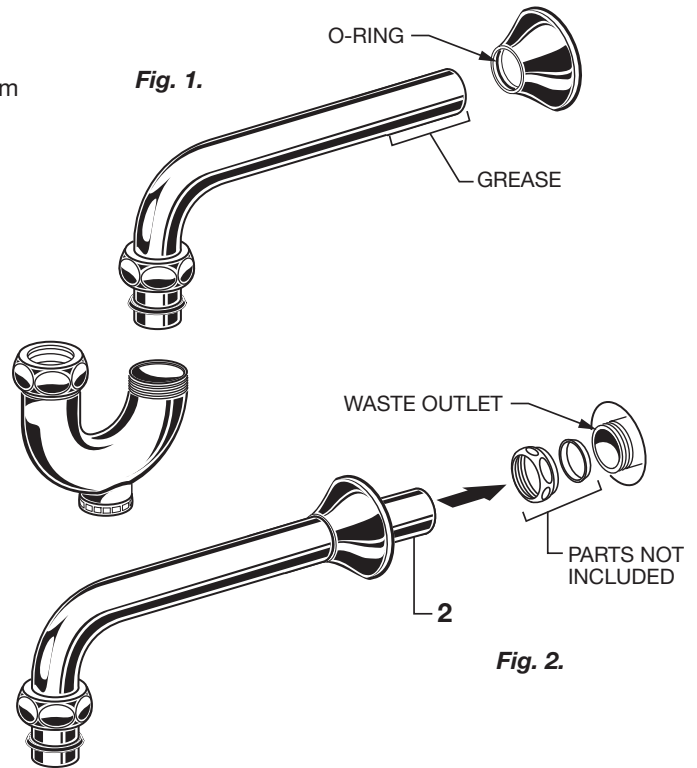
Toll Free: 01-800-8391200
www.DXV.mx

SAVE FOR FUTURE USE

1 INSTALL WASTE TUBE

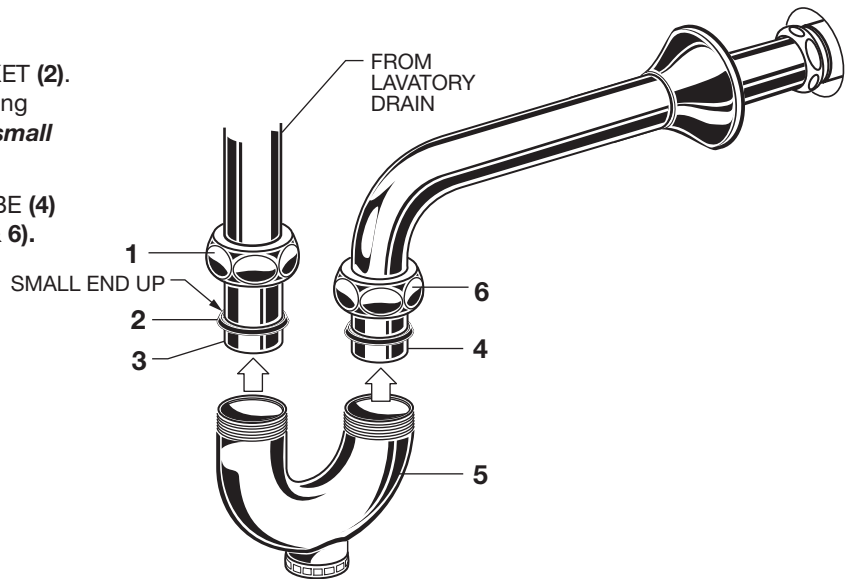
- Unthread LOCKNUT (1) and remove the WASTE TUBE (2) from the P-TRAP (3).
- Apply plumber's grease to the end of WASTE TUBE (2). Slide WALL FLANGE (4) onto WASTE TUBE (2). Make sure O-Ring is installed. **Fig. 1.**
- Install the WASTE TUBE (2) into the waste outlet in the wall and hand tighten. **Fig. 2.** Do not tighten fully.

Note: If WASTE TUBE (2) is too long, cut to proper length with tubing cutter.



2 INSTALL "P" TRAP

- Unthread and remove LOCKNUT (1) and GASKET (2). Slide LOCKNUT (1) and GASKET (2) over existing TAIPLIECE (3) from lavatory drain. **Make sure small end of GASKET (2) is facing up.**
- Align and insert TAIPLIECE (3) and WASTE TUBE (4) into P-TRAP (5). Hand tighten LOCKNUTS (1 & 6). Do not tighten fully.



3 TIGHTEN CONNECTIONS

- When P-TRAP is aligned properly, tighten connections. **Protect finish when tightening.**
- Push WALL FLANGE (1) against finished wall and wipe off excess grease once installation is complete.
- Turn on faucet and check all connections for leaks. ➡ Tighten if necessary.
- Remove the CLEANOUT (2) for servicing.

