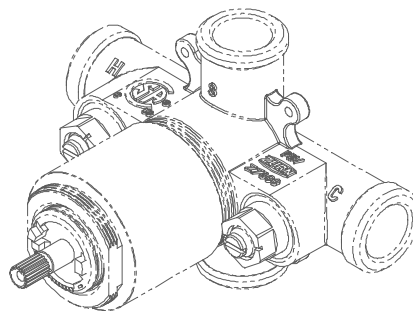
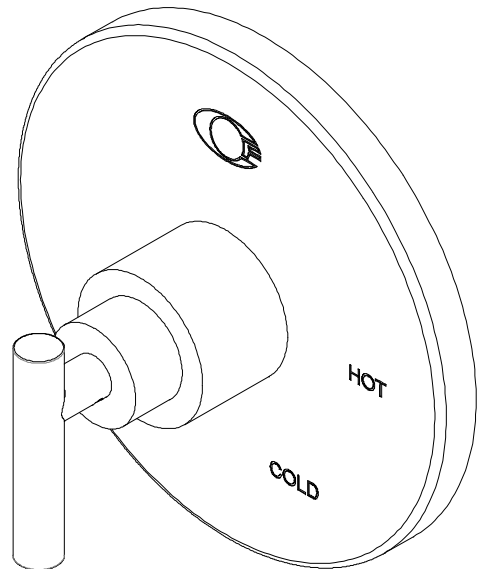
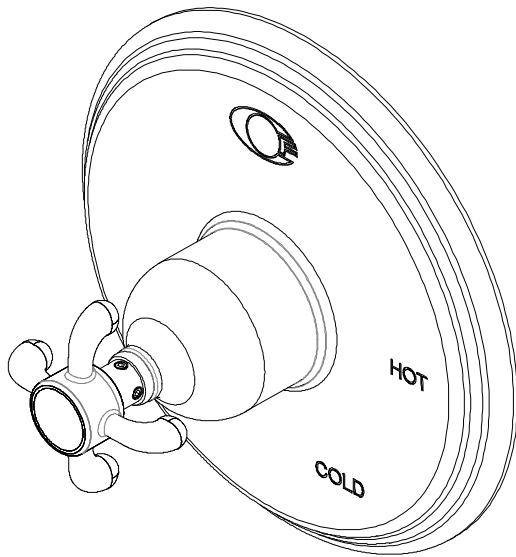


# TO-PBL-XX

## *1/2" Pressure Balance Valve Trim*

### Installation Instructions



**PB-R  
(ROUGH)**



# CALIFORNIA FAUCETS RECOMMENDS THAT ALL PLUMBING PRODUCTS BE INSTALLED BY A LICENSED PROFESSIONAL

## TEMPERATURE SETTING

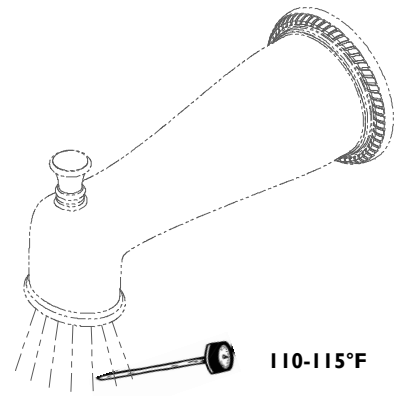
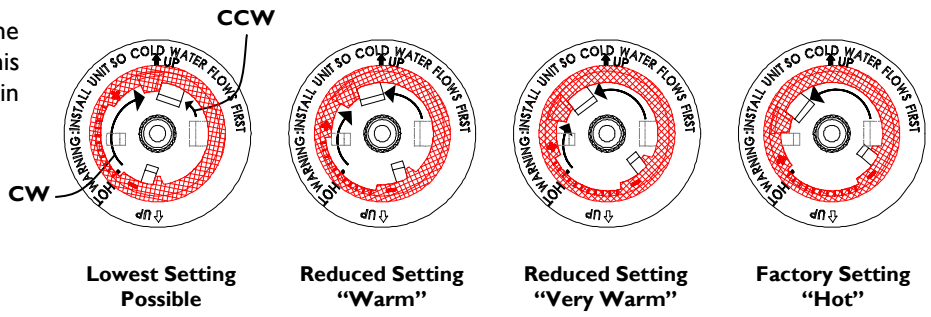
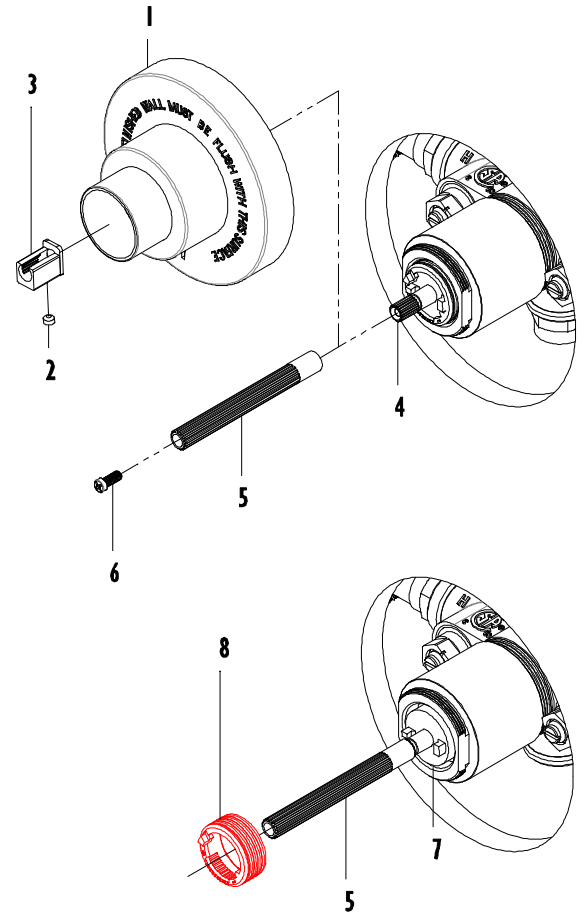
- Remove MUDGUARD (1), SETSCREW (2), and STEM-GUARD (3) from CARTRIDGE-STEM (4)
- Place STEM (5) onto CARTRIDGE-STEM (4) and secure in place with SCREW (6) as shown

**WARNING:** This valve is factory set to deliver water at the highest temperature possible. It is the installer's responsibility to properly set the desired and/or required maximum temperature setting to prevent risk on scalding or other severe injury prior to consumer use. The valve MUST have the high temperature limit stop set during installation. The installer is responsible to set this high temperature limit based on user preferences and all local plumbing code requirements. This valve does NOT monitor temperature. The valve will avoid anti-scald situations, due to pressure and flow fluctuations in supply lines, by regulating pressure during operation.

- Remove temperature limit STOP (8) from CARTRIDGE (7)
- Rotate STEM (5) counter-clockwise (CCW) to start water flow. Temperature will become hotter as stem is rotated. Use temperature measuring device at outlet flow to determine maximum temperature

**IMPORTANT:** To prevent severe injury, maximum temperature setting should be no greater than 115°F. The high temperature MUST meet all local plumbing code requirements.

- Place temperature limit STOP (8) back onto CARTRIDGE (7)
- Lower temperature is achieved by rotating the temperature limit STOP (8) clockwise (CW). This limits the rotation of the cartridge stem which in turn limits maximum temperature

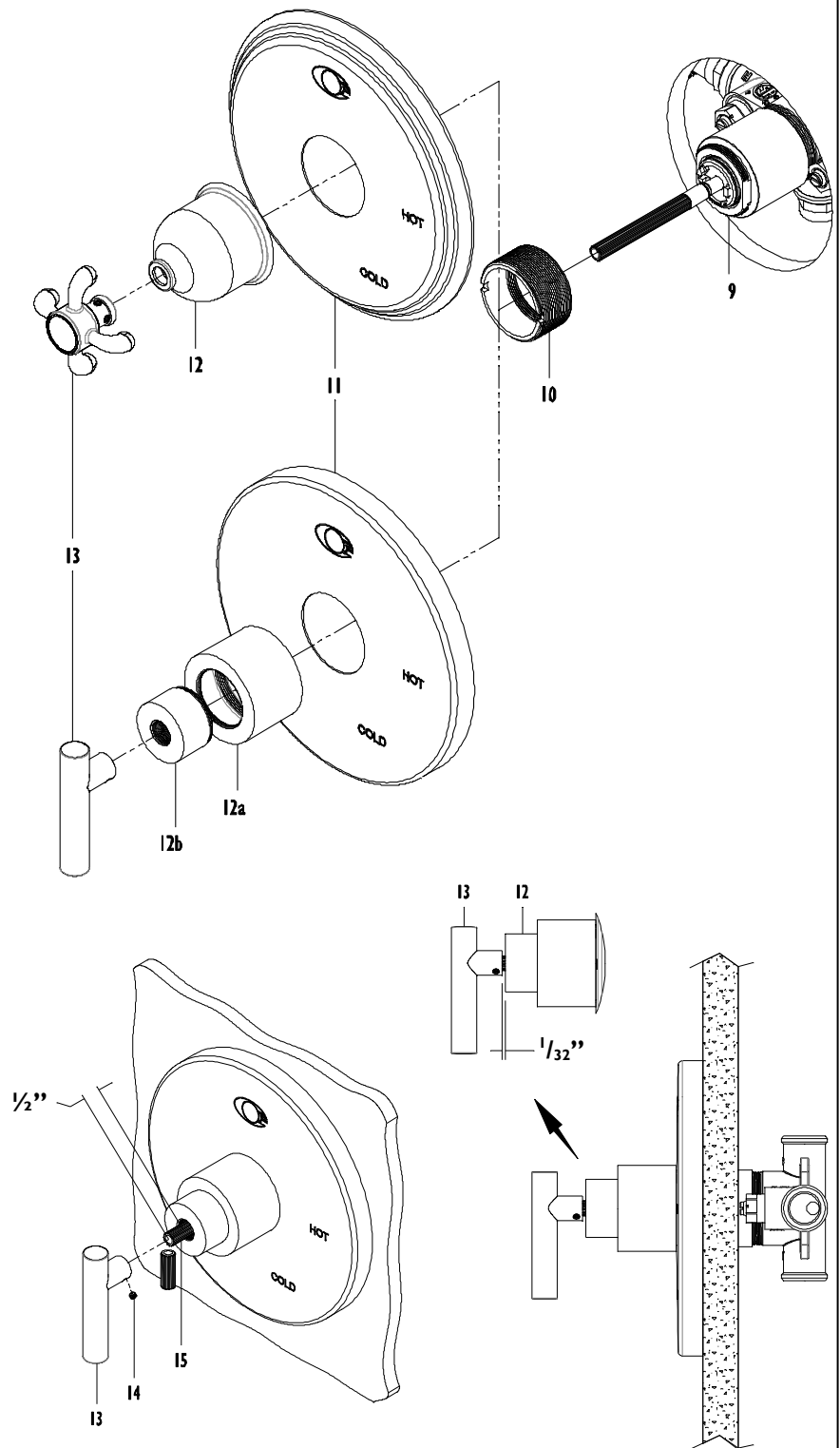


## 2 INSTALL TRIM

**Important:** Prior to performing the next steps, the finished wall surface **MUST** be completed

- Attach BUSHING (10) onto CARTRIDGE NUT (9)
- Place SHOWERPLATE (11) onto BUSHING (10)
- Tighten ESCUTCHEON (12) or (12a) onto BUSHING (10) until SHOWERPLATE (11) is secure to finished wall surface. An additional BONNET (12b) may be supplied based on product style, this BONNET (12b) shall be attached to ESCUTCHEON (12a) prior to affixing HANDLE (13)
- Trim STEM (15) to allow  $\frac{1}{2}$ " of STEM (15) to protruded out from ESCUTCHEON (12)
- Place HANDLE (13) onto STEM (15)
- Allow for  $\frac{1}{32}$ " (thickness of credit card) of gap between ESCUTCHEON (12) and HANDLE (13)
- Tighten SETSCREW (14) to secure HANDLE (13) onto STEM (15)

**NOTE:** Trim extension kits available for extra thick finished wall and/or valve positioned too deep into wall



## 3 MAINTENANCE

- For detailed maintenance of the valve components:  
See **PB-R**  $\frac{1}{2}$ " Pressure Balance Valve Rough Installation Instructions

**IMPORTANT:** After performing any maintenance procedures, it is necessary to verify TEMPERATURE SETTINGS

- See **1** TEMPERATURE SETTING
- See **2** INSTALL TRIM

See complete finish care instructions at [www.calfaucets.com](http://www.calfaucets.com)

- Wipe dry after each use with a soft dry cloth to prevent water-spotting and mineral build-up
- Clean and wax regularly
  - For Living Finishes (e.g. Weathered Brass, Weathered Copper, Oil Rubbed Bronze, Rustico Bronze) we recommend Renaissance Wax
  - For all other finishes, we recommend Faucet Brite, which contains both gentle cleansers and a fine wax coating. Otherwise, clean with mild soap and water, then apply a quality car wax or floor paste wax
- Avoid all abrasive and aggressive chemicals (e.g. Soft Scrub®)
- Do not use abrasive cleaning pads (e.g. Scotch-Brite®)
- Avoid ammoniated products (e.g. window cleaner, tile cleaners, etc.)
- Avoid bleach
- Do not allow water to come into prolonged contact with faucet surface, wipe down after each use

**Failure to follow these care instructions may result in damage to product finish and void warranty.**

### IMPORTANT: Instructions to the Installer

Please read these instructions, fill in blanks below, and then give these instructions to the end user.

#### WARNING: Risk of Scalding

This valve **MUST** have the TEMPERATURE SETTING verified during installations. The **INSTALLER** is responsible for installing the valve and setting of water temperature in accordance with these instructions.

THIS PRESSURE BALANCE VALVE HAS BEEN PRESET

BY \_\_\_\_\_

OF \_\_\_\_\_

TO A MAXIMUM DISCHARGE TEMPERATURE OF \_\_\_\_\_°F.

ANY CHANGES TO THIS SETTING MAY INCREASE THE DISCHARGE TEMPERATURE AND COULD RISK SCALDING OF END USER.

DATE \_\_\_\_\_

**CAUTION: Danger of scald injury.** Valve can be set to provide highest possible water temperature as supplied by water heater. The valve temperature must be set by installer to provide desired user comfort levels as well as meet all local plumbing code requirements. The responsibility for the proper installation and high limit temperature setting of this valve lies with the installer.

[www.calfaucets.com](http://www.calfaucets.com)

5231 Argosy Ave. Huntington Beach, CA 92649  
800-822-8855