



California Faucets®

Steampunk Bay™

8508, 8508B, 8508W

8608, 8608B, 8608W

Roman Tub Set

Installation Instructions

CALIFORNIA FAUCETS RECOMMENDS THAT ALL PLUMBING PRODUCTS BE INSTALLED BY A LICENSED PROFESSIONAL

IMPORTANT: Read all instructions prior to installation and provide copy of instructions to consumer.

Operating Specifications:

Recommended Supply Pressure:

20 to 70 psi*†

Maximum Flow Rate:

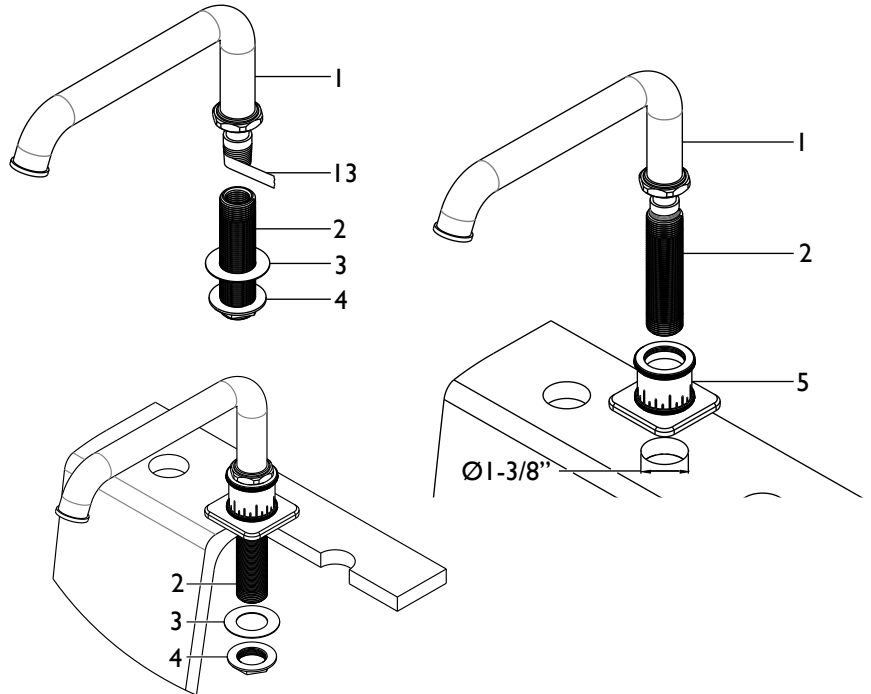
15 gpm

* Operating pressures between hot and cold supplies should vary no more than 30 psi.

† If water pressure exceeds 70 psi, install a Pressure-Reducing Valve (PRV).

1 INSTALLING SPOUT

- Tub/Deck recommended hole size shall be $\varnothing 1-3/8''$
- Apply Teflon® tape (13) (not supplied) to threaded portion of SPOUT (1) and securely tighten NIPPLE (2) to SPOUT (1)
- Remove WASHER (3) and NUT (4) from NIPPLE (2)
- Slide NIPPLE (2) though SPOUT ESCUTCHEON (5) and through tub/deck hole
- From underside place WASHER (3) onto NIPPLE (2) and secure spout into place with NUT (4)



2 INSTALLING VALVE

- Tub/Deck recommended hole size shall be $\varnothing 1-3/8''$
- From underside insert VALVE (6) through appropriate tub/deck hole

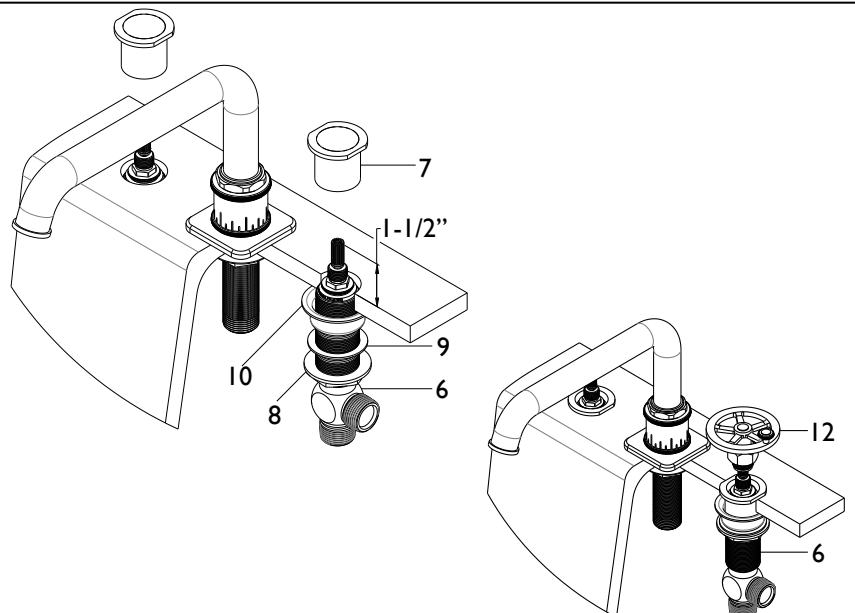
IMPORTANT: VALVES (6) are labeled as follows:

BLUE is **COLD** left turning (counter-clockwise) closed

RED is **HOT** right-turning (clockwise) closed

- Position FLANGE NUT (8), WASHER (9), and CUP SPACER (10) so that VALVE (6) extends $1-1/2''$ above tub/deck surface
- Attach INVERTED NUT (7) to VALVE (6)
- Use HANDLE (12) to confirm proper VALVE (6) alignment, rotate VALVE (6) if necessary

NOTE: See image in Section 4 to confirm proper alignment of other handles



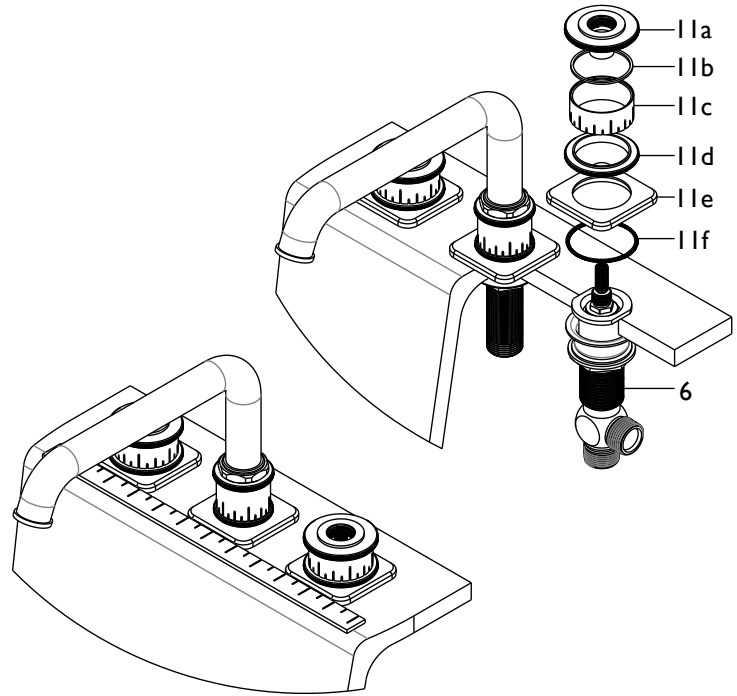
3 INSTALLING ESCUTCHEON

- Insert O-RING (11f) into handle BASE (11e), place COINED RING (11d) on handle BASE (11e), position handle RISER (11c) on COINED RING (11d), fit WASHER (11b) to ESCUTCHEON TOP (11a), place ESCUTCHEON TOP (11a) onto RISER (11c)

NOTE: Confirm orientation of RISER (11c); hash marks at bottom as shown

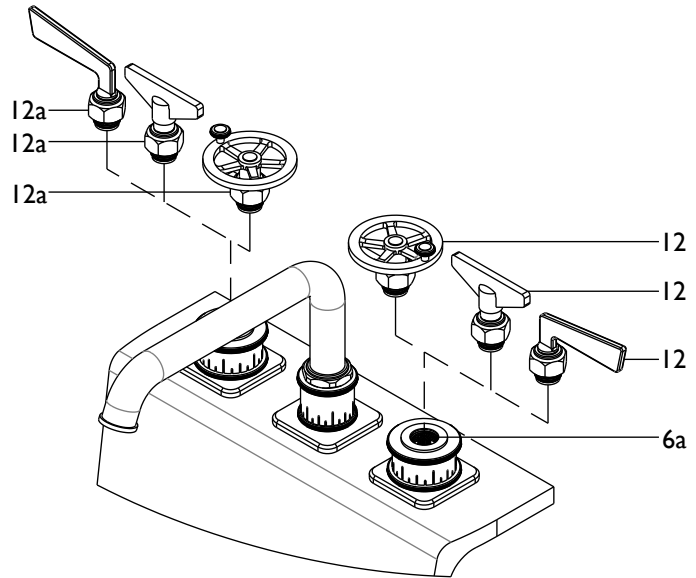
- Place ESCUTCHEON ASSEMBLY (11) onto VALVE (6) and secure to tub/deck surface by tightening ESCUTCHEON TOP (11a)
- Use a ruler or straight edge to align the spout base and escutcheons of the faucet as shown
- After alignment retighten ESCUTCHEON TOP (11a) and spout NUT (4)

NOTE: Return to Section 2 if valve is not aligned properly



4 INSTALLING HANDLE

- Slide HANDLE (12) down onto and engage valve STEM (6a)
- Tighten handle NUT (12a)



5 INSTALLING SUPPLY LINES

- Must use rigid copper piping (not flex) for all connections between spout and valves
- California Faucets recommends that all installation types have access panel(s) to allow for maintenance and/or service

Disclaimer: To conform to many local codes and/or ordinances, it may be required that California Faucets Roman Tub sets be installed in conjunction with an ASSE 1070 approved tempering valve to reduce hot water supply to a safe temperature.

Important: the INSTALLER is responsible to check local codes and/or ordinances, to confirm and verify proper maximum hot water temperature settings for all products installed.

Warning: Water temperatures in excess of 110° F (43°C) are dangerous and may cause severe scalding and injury.

