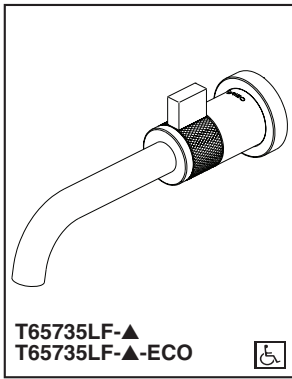


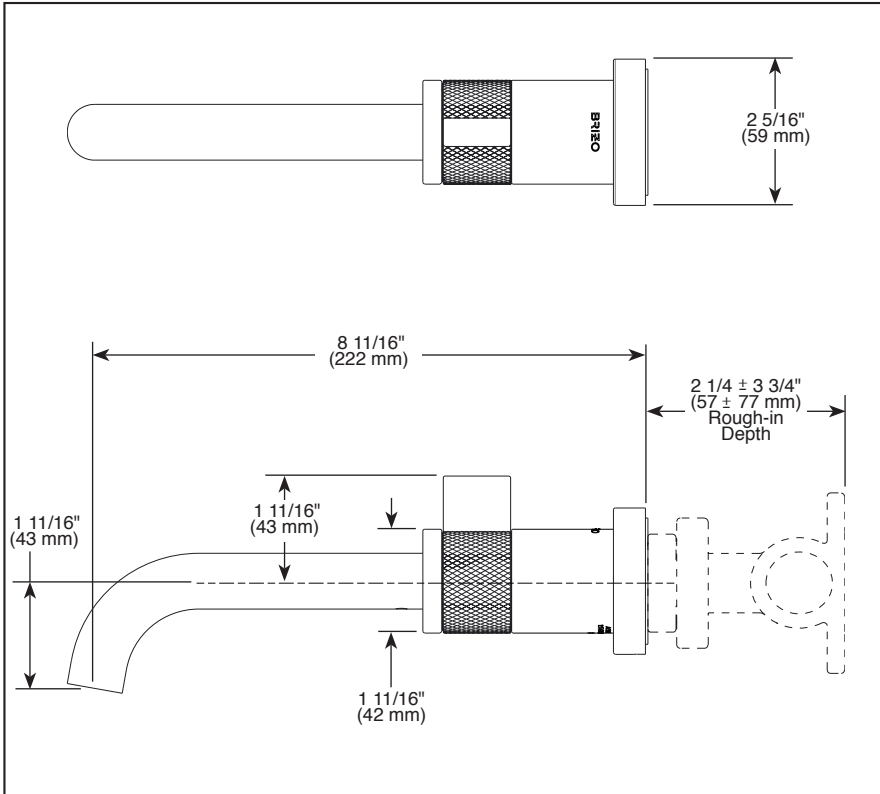
# BRIZO®

## LAVATORY FAUCETS

- Litze™ Collection
- Single Handle Wall Mount



Submitted Model No.: \_\_\_\_\_  
Specific Features: \_\_\_\_\_




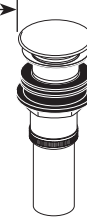




### STANDARD SPECIFICATIONS:

- Maximum 1.50 gpm @ 60 PSI, 5.70 L/Min @ 414 kPa
- ECO models only: Maximum 1.20 gpm @ 60 PSI, 4.50 L/Min @ 414 kPa
- Knurl or Teak accents
- Control mechanism - 28 mm ceramic mixing cartridge with metal stem and 90° rotation
- Spout features hidden water efficient laminar flow aerator
- Solid brass fabricated body
- Drain sold separately
- Rough-in R65700 required for installation

### WARRANTY

- Lifetime limited warranty on parts (other than electronic parts and batteries) and finishes: or, for commercial users, for 5 years from date of purchase.
- 5 year limited warranty on electronic parts (other than batteries); or, for commercial users, for 1 year from the date of purchase. No warranty is provided on batteries.




<p><b>RP72411▲</b> Grid Strainer Drain less overflow holes</p> 	<p><b>RP72413▲</b> Push Button Drain less overflow holes</p>  <p>2 3/4" (70 mm) Dia.</p>	<p><b>RP81627▲</b> Push Button Drain less overflow holes</p>  <p>1 5/8" (41 mm) Dia.</p>
<p><b>RP72412▲</b> Grid Strainer Drain with overflow holes</p> 	<p><b>RP72414▲</b> Push Button Drain with overflow holes</p>  <p>2 3/4" (70 mm) Dia.</p>	<p><b>RP81628▲</b> Push Button Drain with overflow holes</p>  <p>1 5/8" (41 mm) Dia.</p>

▲ Designate Finish Suffix

Brizo reserves the right (1) to make changes in specifications and materials, and (2) to change or discontinue models, both without notice or obligation. Dimensions are for reference only. See current full-line price book or [www.brizo.com](http://www.brizo.com) for finish options and product availability.

BSP-L-T65735LF Rev. B

### COMPLIES WITH:

- ASME A112.18.1 / CSA B125.1
- ASME A112.18.2 / CSA B125.2
-  Indicates compliance to ICC/ANSI A117.1
- EPA WaterSense®
- Verified compliant with .25% weighted average Pb content regulations.

Brizo Kitchen & Bath Company  
Indianapolis, Indiana 46280  
A Division of Masco Corporation of Indiana  
© 2016 Brizo Kitchen & Bath Company