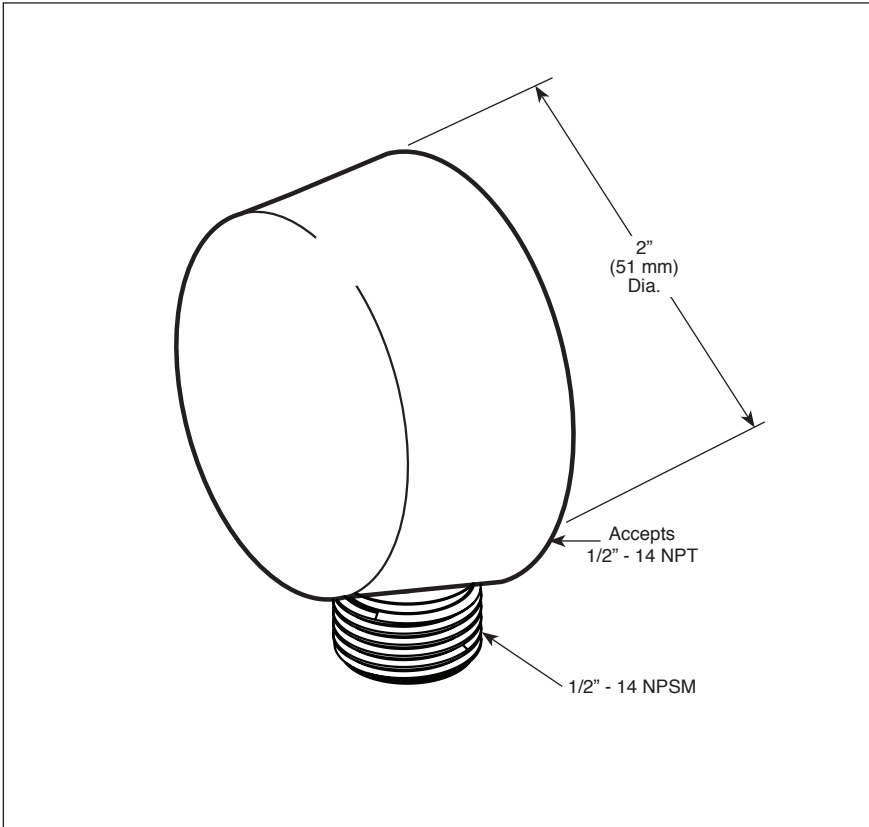


Submitted Model No.: _____

Specific Features: _____



▲ Designate proper finish suffix

BRIZO®

WALL ELBOW AND GASKET

STANDARD SPECIFICATIONS:

- Required for slidebar or wall mount handshower holders that do not offer an integrated hose connection

WARRANTY

- Lifetime limited warranty on parts (other than electronic parts and batteries) and finishes: or, for commercial users, for 5 years from date of purchase.
- 5 year limited warranty on electronic parts (other than batteries); or, for commercial users, for 1 year from the date of purchase. No warranty is provided on batteries.

COMPLIES WITH:

- ASME A112.18.1 / CSA B125.1